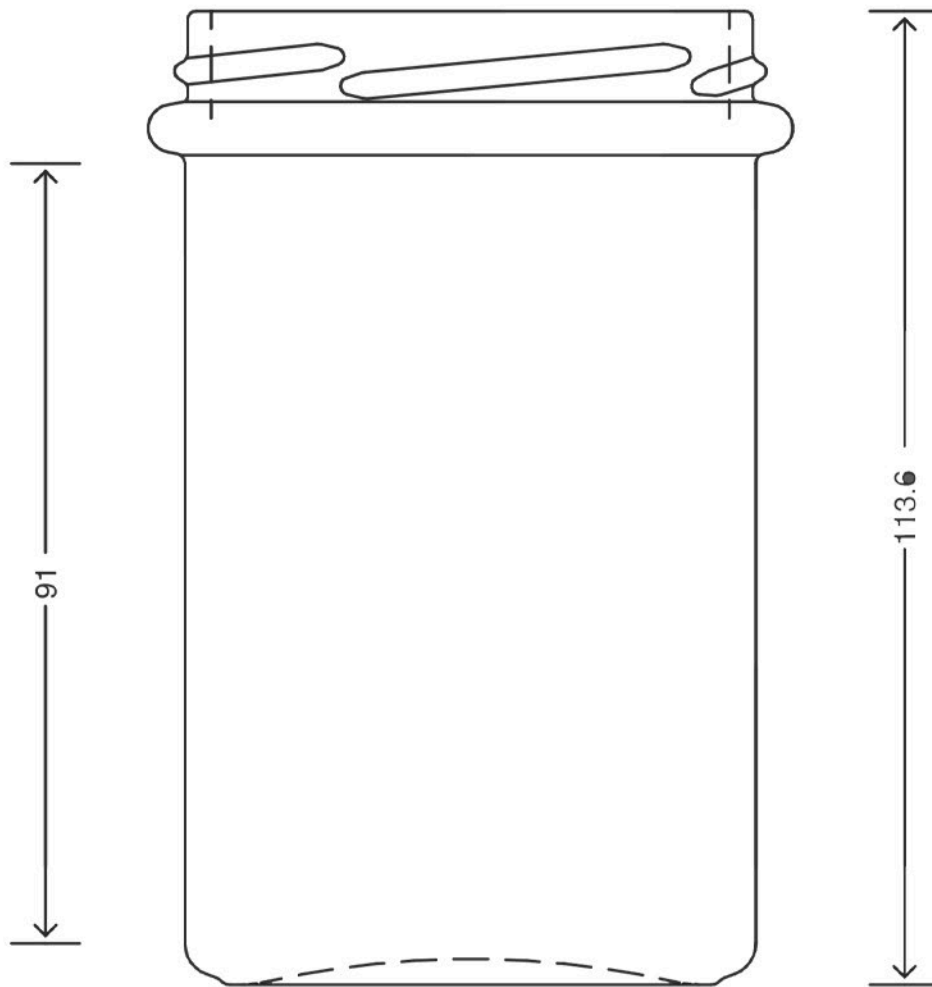


75.2



91

113.6

56.08

66.6